

# S 401

The high-end garage door opener.

**BERNAL**<sup>®</sup>

T O R A N T R I E B E

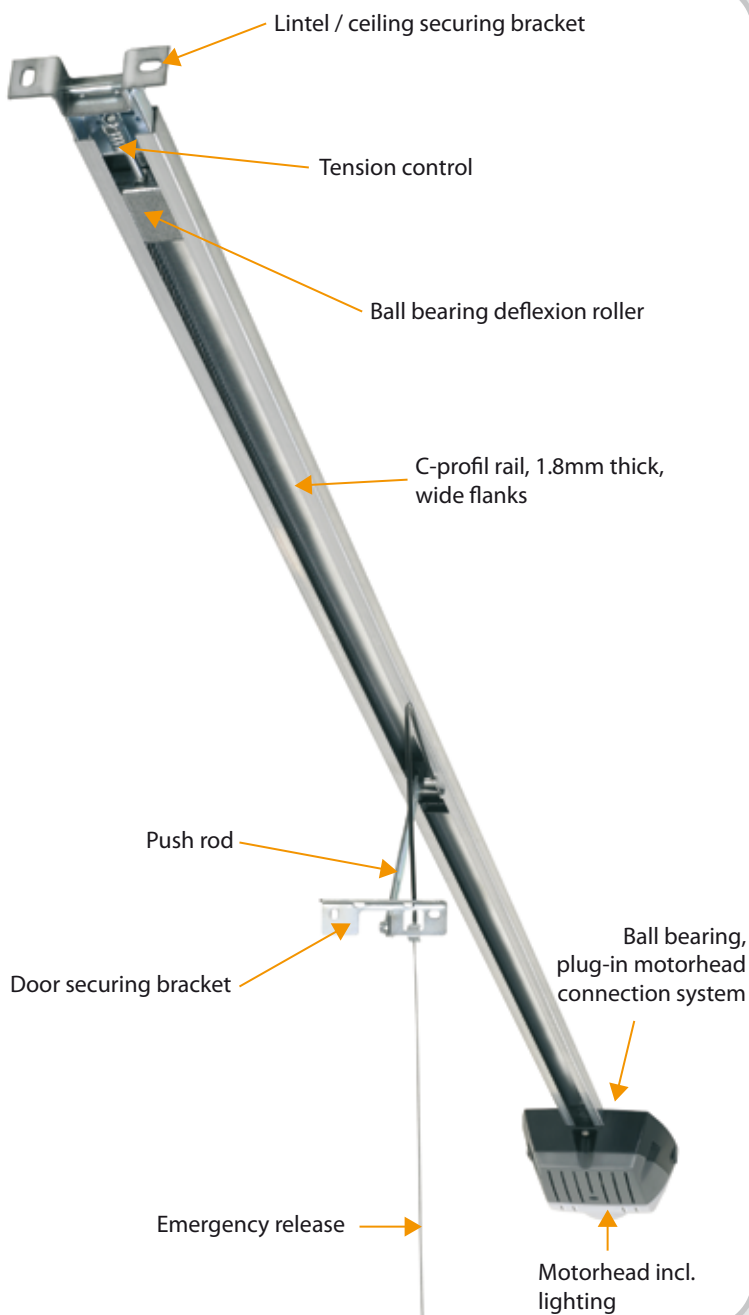


- + Suitable for all types of doors
- + Especially easy to install
- + Extra assuredly sensor technology
- + Applicable for underground car parks
- + Fully loaded

# S 401

# BERNAL®

T O R A N T R I E B E



## CONTROL UNIT



- > Force monitoring system
- > Automatic travel path setting
- > Load stable soft-start / soft-stop
- > Evaluation for ohmic safety edges
- > Integrated lighting 230 V/40 Watt
- > Security radio system 868.50 MHz
- > Watchdog-Protection
- > Dissipation loss transformer < 1 Watt
- > Optional traffic light modul
- > TÜV/GS safety approved
- > Connection „Door closed“ signal
- > Connection for external lighting
- > Automatic closing function
- > Single error safety concept
- > TES (Twin-Encoder-System)
- > Digital menu control
- > Condominium function

## TECHNICAL DATA:

	S401-60	S401-80	S401-120
Voltage supply.		230V/AC	
Max. force:	600N	800N	1200N
Max. door leaf weight:	100kg	140kg	170kg
Max. door leaf width:	450cm	550cm	700cm
Max. door leaf area:	10,8m <sup>2</sup>	13,2m <sup>2</sup>	16,8m <sup>2</sup>
Max. travel path*:	3,4m	5,4m	5,4m
Max. velocity:		14cm/sec.	
Emmission sound pressure level:		<math>\leq 70\text{ dB(A)}</math>	

\*with rail extension kit

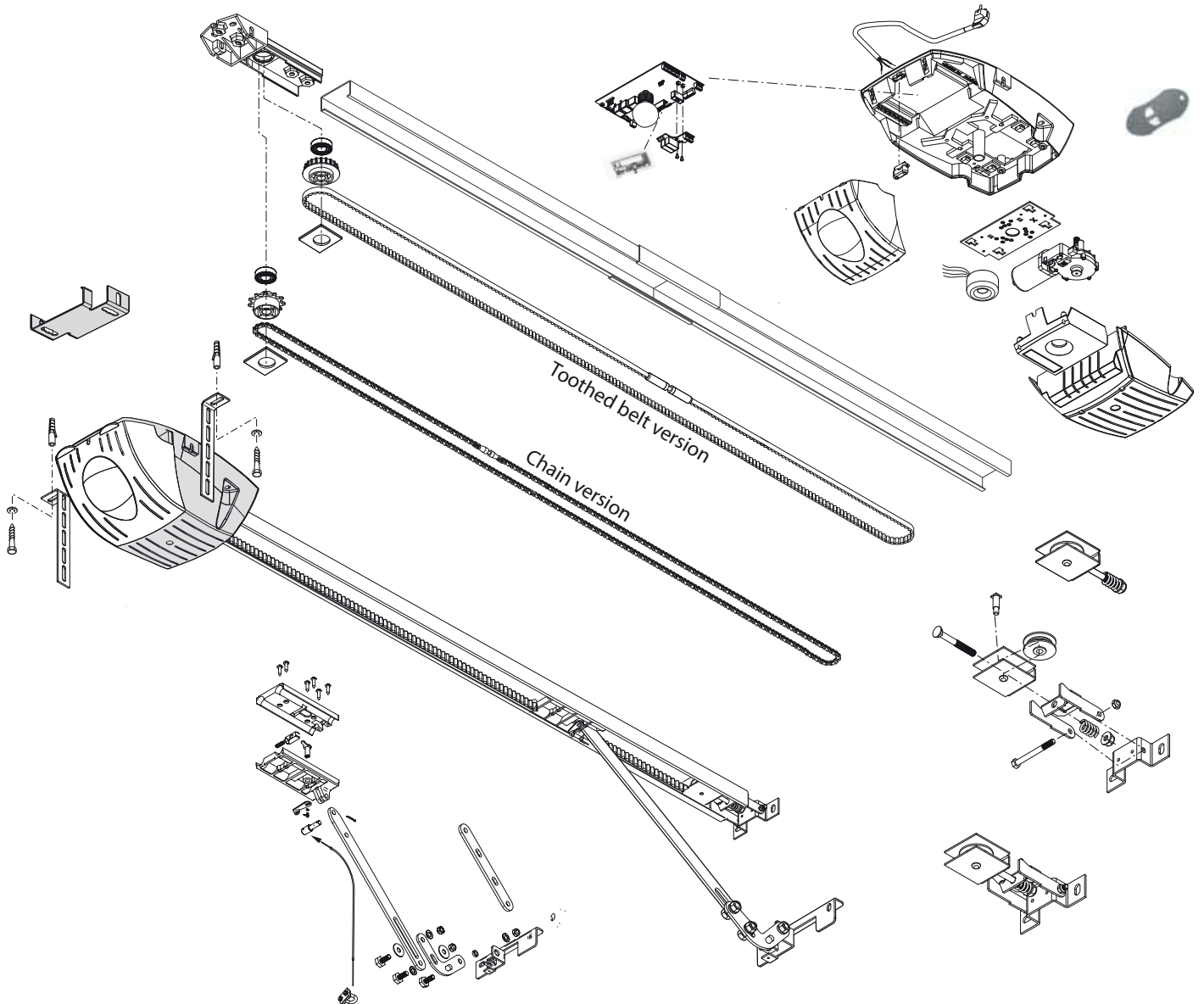
## DELIVERY SCOPE:

Motorhead incl. rail 2x1,5m toothed belt  
 Fully fledged external emergency release  
 Universal fitting kit  
 Universal door securing bracket  
 1 transmitter 4-channel

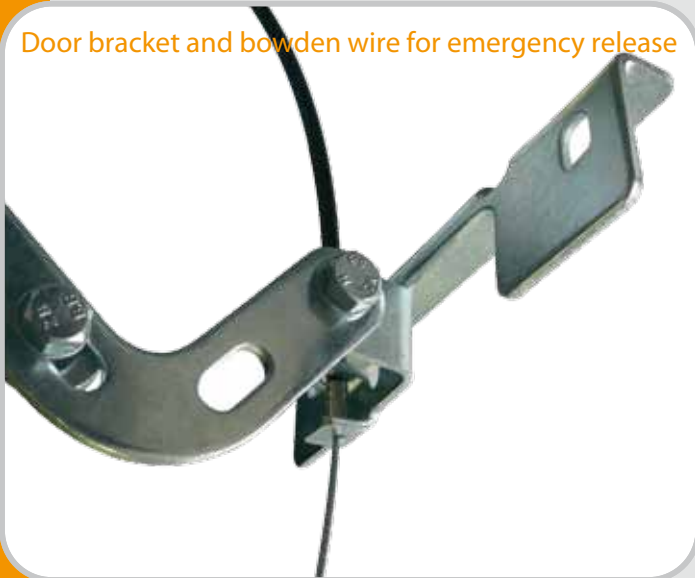
## OPTIONAL:

Rail in high-grade chain version  
 Rail extension kits up to 6,0m  
 Mechanic locking device

## SYSTEM DRAWING



Door bracket and bowden wire for emergency release



Clearly arranged control panel



# S 401



Transmitter 4-channel  
B 135.504



Transmitter 4-channel  
B 440.504



Radio code lock  
B 161.45



Antenna  
B 260.58



Key switch on-wall  
B 161.15

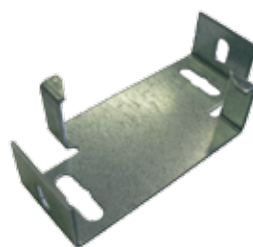
Key switch in-wall  
B 161.16



Sectional door fitting  
BY 4720



Plug-in lock  
B 146.02

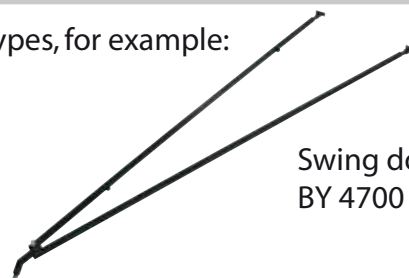


Middle bracket  
BY 4303



Curved arm fitting  
B 146.66

Brackets for special door types, for example:



Swing door fitting  
BY 4700



Safety edge  
B 123.XXX



Photo cell FE  
B 210.090



Warning light  
B 210.009

Security elements, for example: